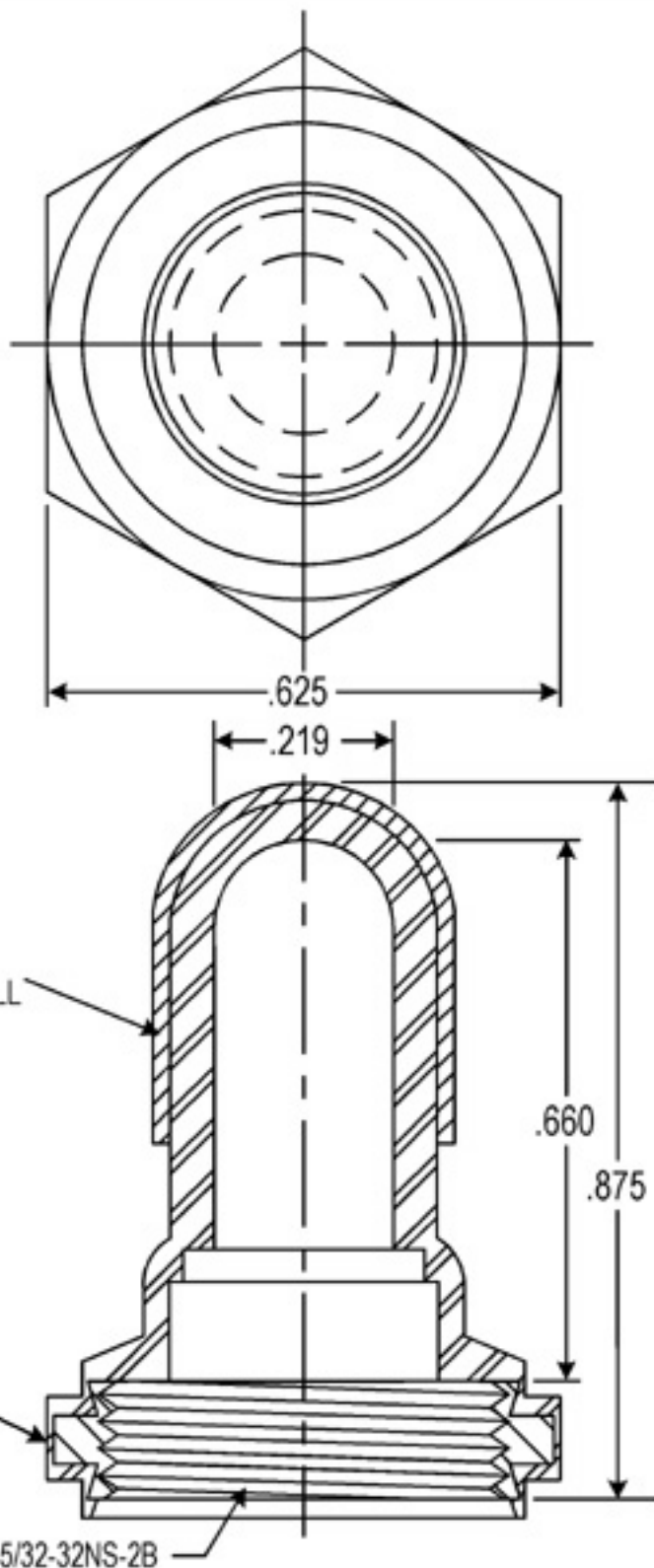


### SPECIFICATIONS

**Material:** HEXSEALS: Silicone rubber conforms to ZZ-R-765 Class III, GR 50 (unless otherwise specified)  
**Mounting Nut:** HEXSEALS: Brass, nickel-plated  
**Temperature Range:** HEXSEALS: -94°F to +400°F  
**Pressure Range:** Exceeds 15 psi internal and 1500 psi external. (N5032B: 10 psi)  
**Operational Life:** 50,000 actuations (minimum).  
**Shelf Life:** Excess of 25 years.  
**Resistant to:** Salt spray, sunlight, ozone, weather, fungus, and most acids and lubricating oils  
**Military Approvals:** Most HEXSEALS are QPL-approved to MIL-B-5423.  
**Agency Recognition:** E-SEALS and HEXSEALS are UL-listed to UL Std. 50 types 1-13, and meet CSA standards.  
**Installation:** If a reducing adaptor is required – see page 14 of HEXSEAL catalog HEX200 for part numbers and drawing.



E	CAD COMPUTER GENERATED		9-23/02
D	REDRAWN	TONY CARBOME	9-4-69
REV.	DESCRIPTION		DATE
MAXIMUM AND MINIMUM MEASUREMENTS ARE STATED DIRECTLY ON EACH DIMENSION.		ENG. M.M.	
MAT'L: SILICONE RUBBER PER ZZ-R-765 CLIII GR50		DWN. J.PALUMBO	12-27-58
FINISH: GRAY		CHKD.	
APM-HEXSEAL CORPORATION		SCALE 4:1	DWG. NO. (N-1030A) HEXSEAL®

THIS DRAWING COVERS PROPRIETARY ITEM AND IS THE PROPERTY OF THE APM-HEXSEAL CORPORATION. THIS DRAWING IS NOT TO BE COPIED OR USED WITHOUT THE WRITTEN APPROVAL OF AN OFFICER OF THE APM-HEXSEAL CORPORATION.